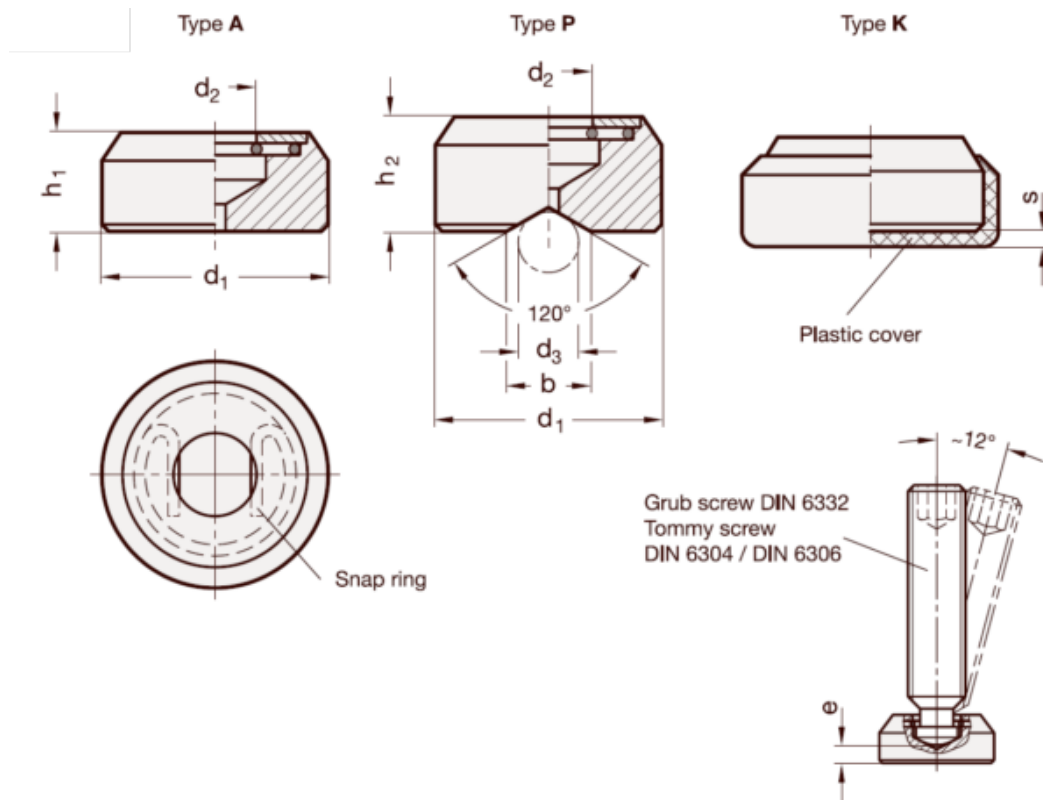


Article number: 20806311125P  
 Description: E+G Thrust pad  
 GN 6311.1-25-P

## Measures



b	= 16
d1	= 25
d2	= 9.2
d3	= 32
h2	= 15
Thread	= M10/M12
Type	= Type P